



LUMINAIRE TESTING LABORATORY, INC.

SUSTAINING
MEMBER
of the
IESNA

905 Harrison Street · Allentown, PA 18103 · 610-770-1044 · Fax 610-770-8912 · www.LuminaireTesting.com

LTL NUMBER: 13436

DATE: 06-27-2008

PREPARED FOR: C. CRANE COMPANY, INC.

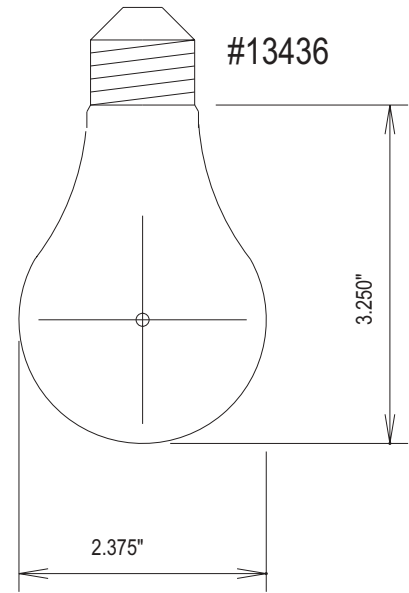
CATALOG NUMBER: 60 WATT INCANDESCENT A19 LAMP

LAMP: ONE FROSTED VBU 60 WATT A19 INCANDESCENT LAMP

ELECTRICAL VALUES: 120.0VAC, 0.4862A, 58.40W

LUMINAIRE EFFICACY: 11.3 LUMENS/WATT

NOTE: THIS TEST WAS PERFORMED USING THE CALIBRATED
PHOTODETECTOR METHOD OF ABSOLUTE PHOTOMETRY.*
VERTICAL TEST DATA WAS ACQUIRED IN 1/2 DEGREE
INCREMENTS.

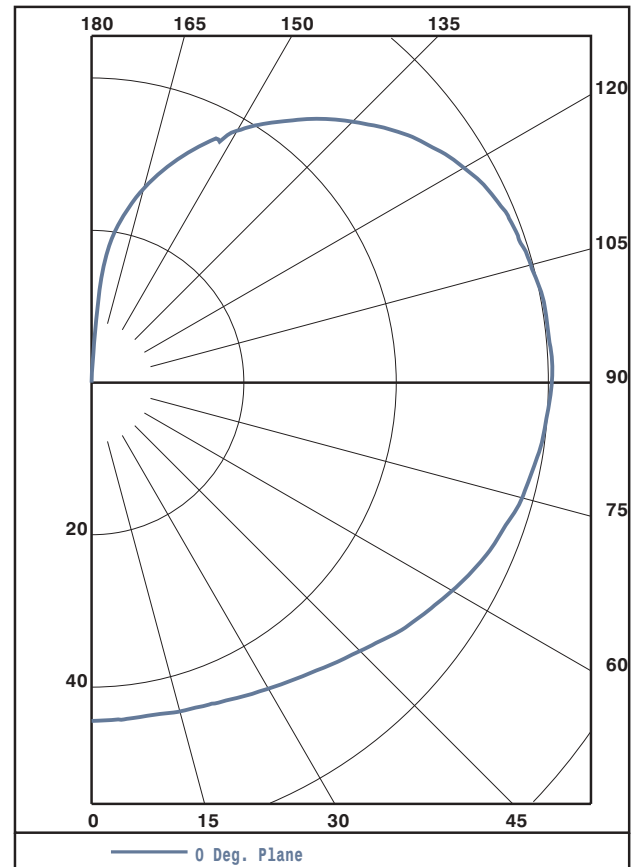


CANDELA VER ANG	LAT 0.0	ZONAL LUMEN SUMS
0	44	
5	44	4
15	45	13
25	46	21
35	47	30
45	50	39
55	53	48
65	56	56
75	59	62
85	60	65
90	60	
95	60	66
105	60	63
115	58	58
125	54	49
135	48	38
145	42	26
155	34	16
165	26	8
175	13	1
180	0	

ZONAL LUMEN SUMMARY DATA IN MAJOR ZONES

ZONE	LUMENS	%FIXT
0-30	38	5.76
0-40	68	10.26
0-60	154	23.32
0-90	337	50.97
90-120	187	28.23
90-130	235	35.59
90-150	299	45.25
90-180	324	49.03
0-180	662	100.00

TOTAL LUMEN OUTPUT: 662
CIE CLASSIFICATION TYPE GENERAL DIFFUSE
LUMINOUS DIAMETER OF LUMINAIRE 2.375"



Approved By: MG

THIS REPORT BASED ON LM-46 AND OTHER PERTINENT IESNA PROCEDURES.



LUMINAIRE TESTING LABORATORY, INC.

SUSTAINING
MEMBER
of the
IESNA

905 Harrison Street · Allentown, PA 18103 · 610-770-1044 · Fax 610-770-8912 · www.LuminaireTesting.com

LTL NUMBER: 13436

DATE: 06-27-2008

PREPARED FOR: C. CRANE COMPANY, INC.

5 DEG LUMEN ZONE	VALUES LUMENS
0-5	1
5-10	3
10-15	5
15-20	7
20-25	10
25-30	12
30-35	14
35-40	16
40-45	18
45-50	20
50-55	23
55-60	25
60-65	27
65-70	29
70-75	30
75-80	32
80-85	32
85-90	33
90-95	33
95-100	33
100-105	32
105-110	31
110-115	30
115-120	28
120-125	26
125-130	23
130-135	20
135-140	17
140-145	15
145-150	12
150-155	9
155-160	7
160-165	5
165-170	3
170-175	1
175-180	0

LUMINAIRE AVERAGE BRIGHTNESS DATA TABLE			
LUMINANCE IN CANDELA PER SQUARE METER			
VER	LATERAL ANGLE		
ANG	0-DEG	45-DEG	90-DEG
0	15557	15557	15557
45	9002	9002	9002
55	9307	9307	9307
65	9836	9836	9836
75	10575	10575	10575
85	11535	11535	11535



LUMINAIRE TESTING LABORATORY, INC.

SUSTAINING
MEMBER
of the
IESNA

905 Harrison Street · Allentown, PA 18103 · 610-770-1044 · Fax 610-770-8912 · www.LuminaireTesting.com

LTL NUMBER: 13436

DATE: 06-27-2008

PREPARED FOR: C. CRANE COMPANY, INC.

5 DEGREE CANDELA DISTRIBUTION

VER LATERAL ANGLE

ANG 0.0

0 44

5 44

10 44

15 45

20 45

25 46

30 46

35 47

40 49

45 50

50 52

55 53

60 55

65 56

70 57

75 59

80 59

85 60

90 60

95 60

100 60

105 60

110 59

115 58

120 56

125 54

130 52

135 48

140 45

145 42

150 38

155 34

160 31

165 26

170 22

175 13

180 0

THIS TEST WAS CONDUCTED USING PHOTOMETRY TECHNIQUES ACCORDING TO STANDARD IESNA PROCEDURES. THE USER MUST THEREFORE USE CAUTION IN THE FOLLOWING SITUATIONS: 1) ACCORDING TO IESNA PROCEDURES, THE BALLAST(S) AND LAMP(S) ARE PRESUMED TO PRODUCE 100% OF RATED OUTPUT. AN APPROPRIATE BALLAST FACTOR MUST BE APPLIED TO THE LUMEN OUTPUT RATINGS AND LUMINOUS INTENSITY VALUES GIVEN. 2) THIS TEST WAS CONDUCTED IN A CONTROLLED LABORATORY ENVIRONMENT, FIELD PERFORMANCE MAY DIFFER.